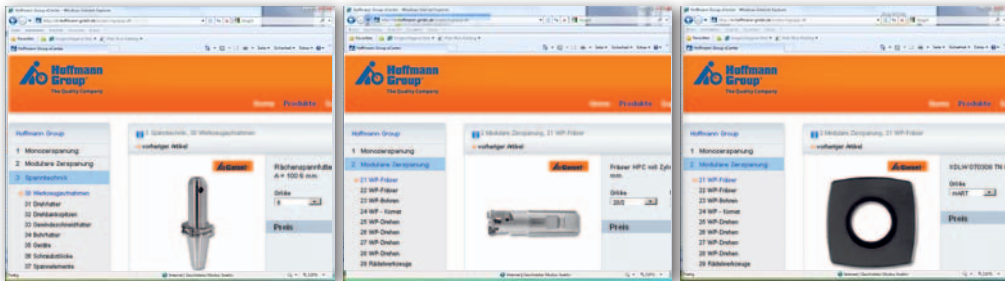
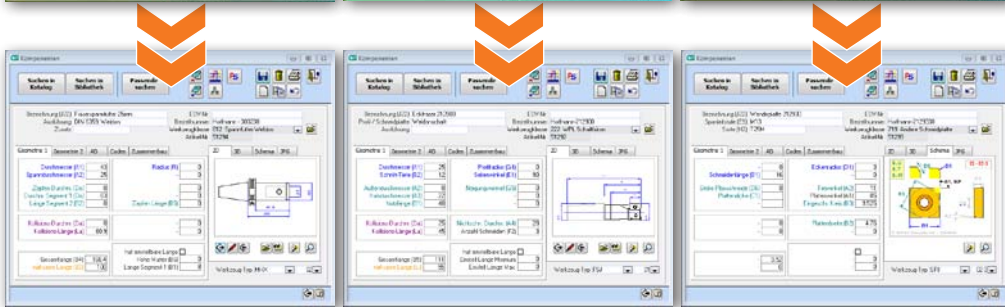


Direct Application of GARANT eTool Data and Tool Graphics with WinTool Tool Management!

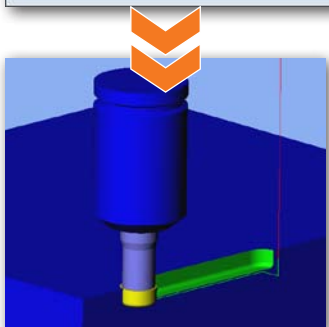
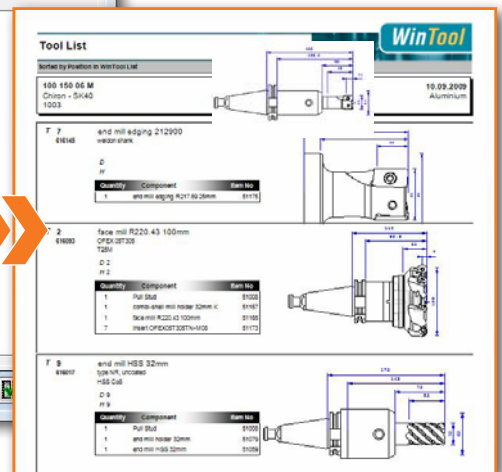
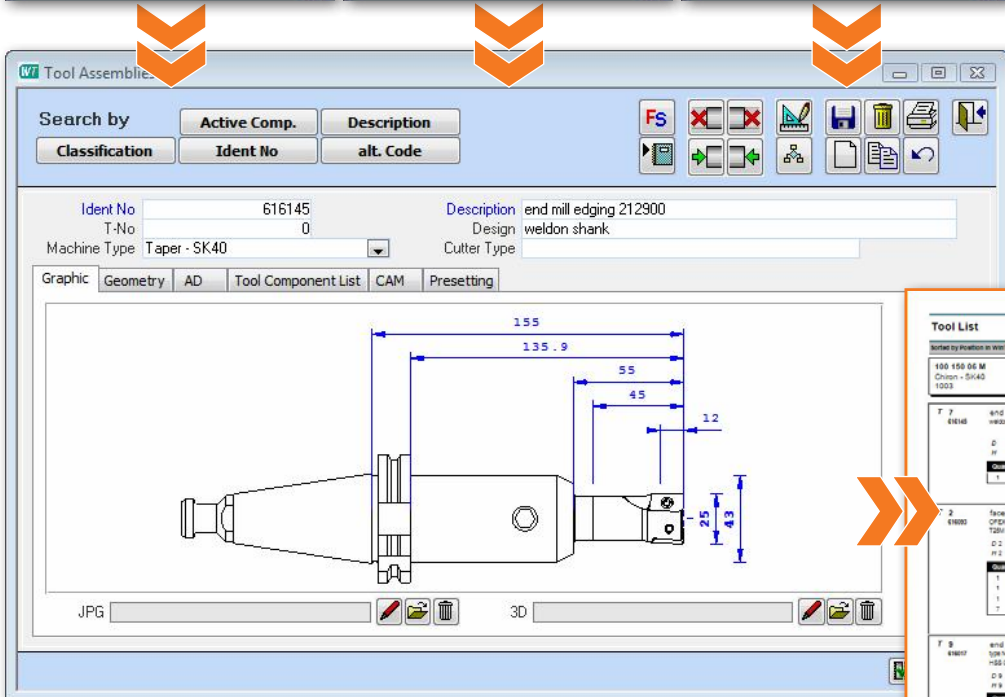
Download and DIN Import function for WinTool Tool Management – www.hoffmann-group.com



- Download Hoffmann tool data and graphics.



- DIN 4000 Import function with automatic integration of graphic.
- Custom data entry fields such as storage place or min. inventory level.
- Automatic search and assembly of tools.



- 3D interfaces for all established CAM systems.

- Print reports with tool graphics for setup sheets and where-used analysis.

GARANT eTool – the new dimension of cutting efficiency!

www.hoffmann-group.com



Premium Quality by Hoffmann Group